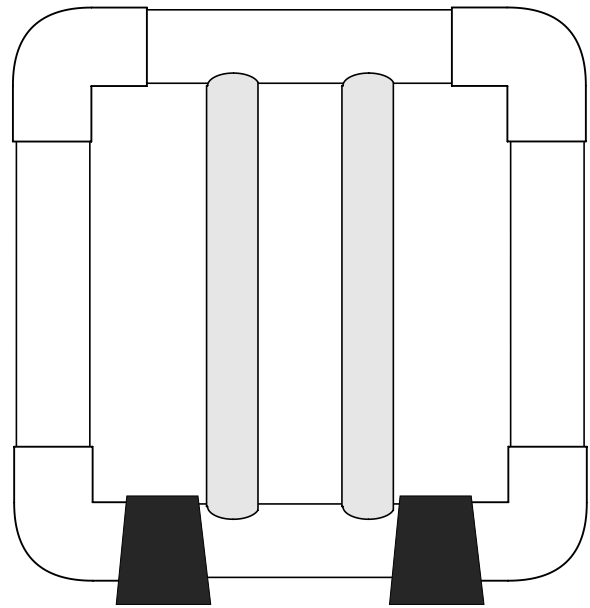
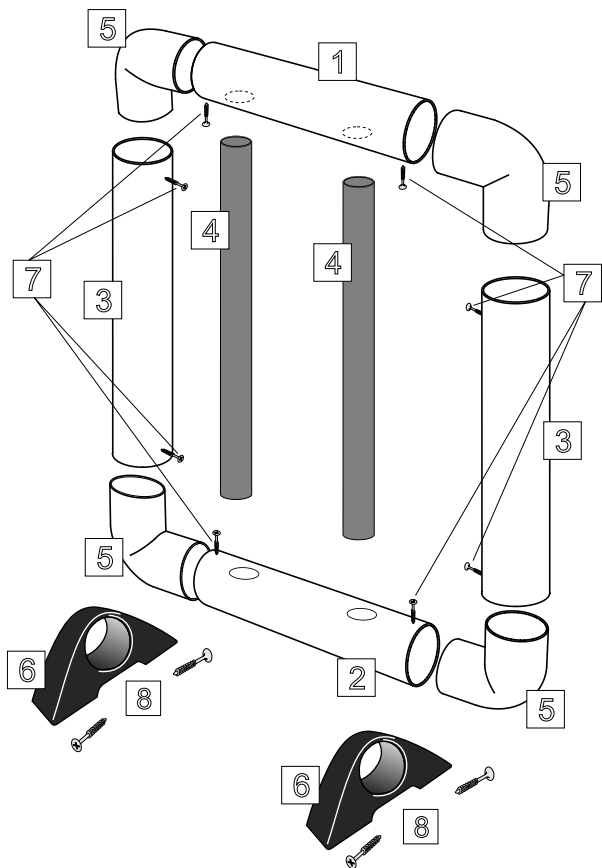


SMALL FILLER



| <i>Material</i> | <i>Measure</i> | <i>Quantity</i> |
|---------------------|----------------|-----------------|
| 1 75 mm plast TOP | 430 | 1 |
| 2 75 mm plast UNDER | 430 | 1 |
| 3 75 mm plast SIDE | 470 | 2 |
| 4 50 mm plast SLATS | 550 | 2 |
| 5 Corner | - | 4 |
| 6 Rubberfeet | - | 2 |
| 7 Screw | 3,5×12 | 8 |
| 8 Screw with plate | 4×20 | 4 |

